



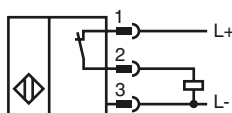
### Model Number

NBN15-30GM50-E3-T-V1

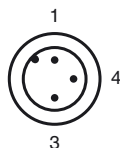
### Features

- Extended temperature range
- 15 mm non-flush

### Connection



### Pinout



Wire colors in accordance with EN 60947-5-2

1	BN	(brown)
3	BU	(blue)
4	BK	(black)

### Accessories

#### BF 30

Mounting flange, 30 mm

#### EXG-30

Quick mounting bracket with dead stop

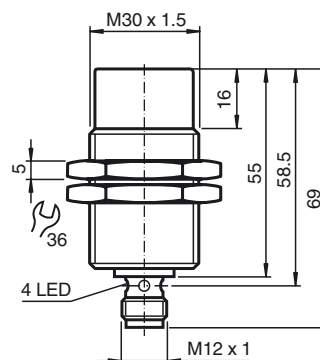
#### V1-W

4-pin, M12 female field-attachable connector

#### V1-G

4-pin, M12 female field-attachable connector

### Dimensions



### Technical Data

#### General specifications

Switching element function	PNP	NC
Rated operating distance	$s_n$	15 mm
Installation		non-flush
Output polarity		DC
Assured operating distance	$s_a$	0 ... 12.15 mm
Actuating element		mild steel, e. g. 1.0037, SR235JR (formerly St37-2) 45 mm x 45 mm x 1 mm
Reduction factor $r_{Al}$		0.4
Reduction factor $r_{Cu}$		0.3
Reduction factor $r_{304}$		0.7
Reduction factor $r_{Brass}$		0.4

#### Nominal ratings

Installation conditions		
A		15 mm
B		30 mm
C		25 mm
F		80 mm
Operating voltage	$U_B$	10 ... 30 V
Switching frequency	$f$	0 ... 300 Hz
Hysteresis	$H$	0.04 ... 3.3 mm
Reverse polarity protection		yes
Short-circuit protection		yes
Overload resistance		yes
Wire breakage protection		yes
Inductive overvoltage protection		yes
Ripple		10 %
Voltage drop	$U_d$	$\leq 2.5$ V
Repeat accuracy		0.4 mm
Operating current	$I_L$	0 ... 200 mA
Off-state current	$I_r$	$\leq 0.01$ mA
No-load supply current	$I_0$	$\leq 7$ mA
Time delay before availability	$t_v$	$\leq 40$ ms
Switching state indication		Multihole-LED, yellow

#### Functional safety related parameters

Mission Time ( $T_M$ )	20 a
Diagnostic Coverage (DC)	0 %

#### Ambient conditions

Ambient temperature	-25 ... 100 °C (-13 ... 212 °F)
Storage temperature	-40 ... 100 °C (-40 ... 212 °F)

#### Mechanical specifications

Connection type	Device connector M12 x 1, 3-pin
Housing material	brass, nickel-plated
Sensing face	PBT
Protection degree	IP67
Mass	107 g

#### Compliance with standards and directives

Standard conformity	
Standards	EN 60947-5-2:2007 IEC 60947-5-2:2007

#### Approvals and certificates

CCC approval	Products with a maximum operating voltage of $\leq 36$ V do not bear a CCC marking because they do not require approval.
--------------	--